

# Data Sheet

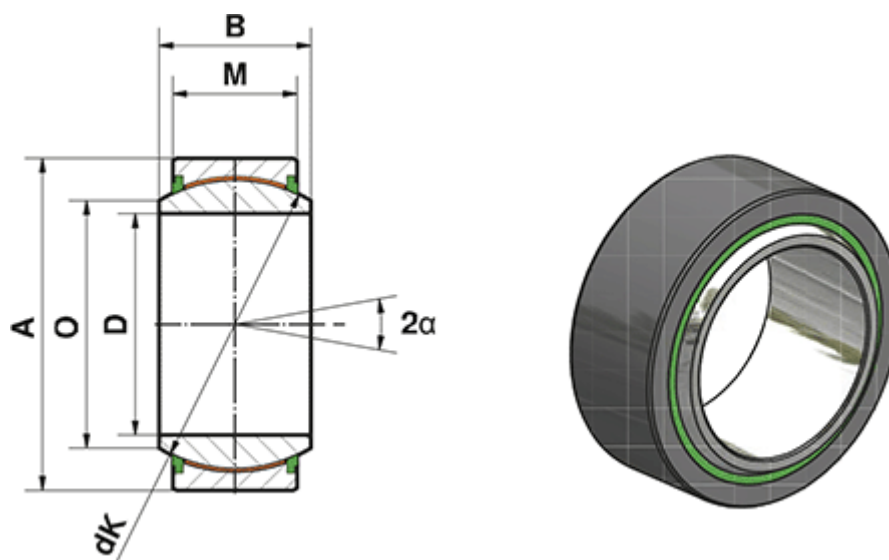


Article number: 03445280

Description: Fluro Heavy Duty Spherical Plain Bearing GE 280 EW-2RS  
Hole  $\varnothing$ 280

Note: 280

## Measures



A	= 400
a (degrees)	= 6
B	= 155
D	= 280
dK	= 350
Dynamic load C (kN)	= 10050
M	= 120
O	= 313.8

Static load C0 (kN)	= 16750
Weight (g)	= 64700